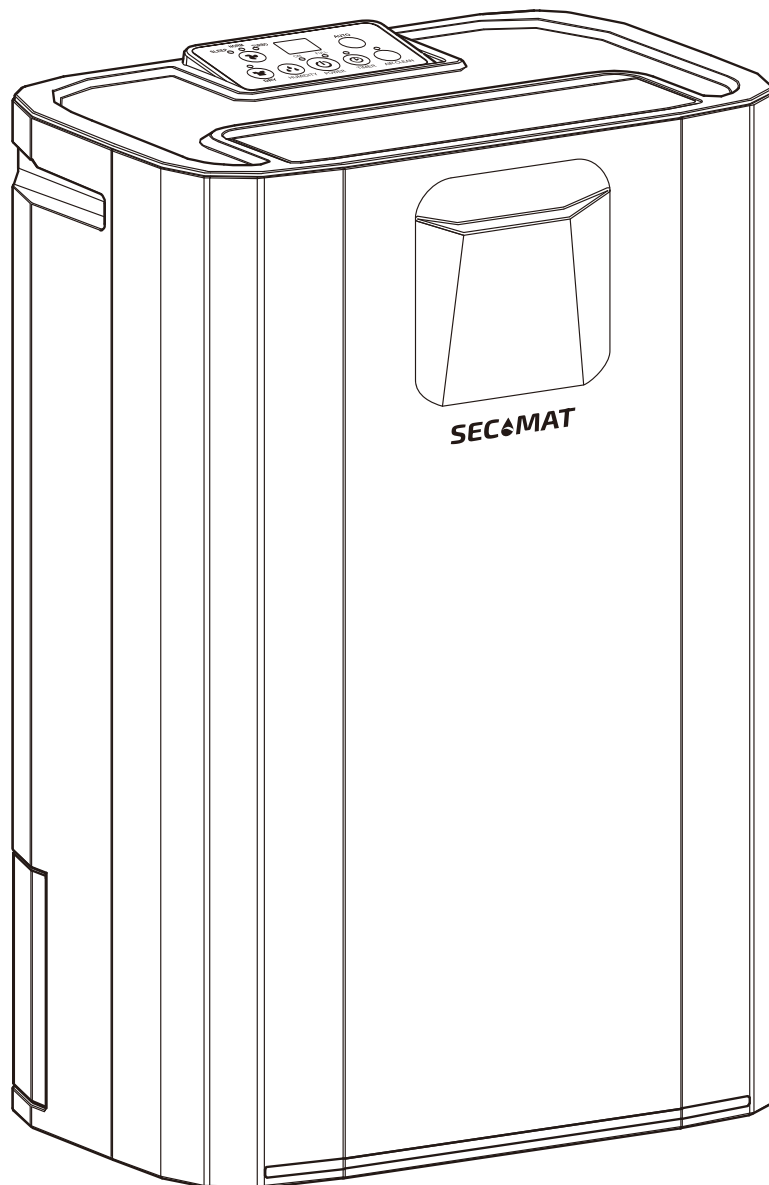


SECAMAT

DESICCANT DEHUMIDIFIER DH-D10 USER MANUAL



CONTENTS

1. HOW IT WORKS	1
2. WHERE TO POSITION	1
3. SAFETY INSTRUCTIONS	1
4. PARTS	3
5. OPERATION	6
6. DRAINAGE	7
7. MAINTENANCE	8
8. TROUBLE SHOOTING	9
9. WARRANTY	9

Model	DH-D10
Power Source	220-240 V / 50 Hz
Dehumidification Capacity	10 L / 24 h (30°C, 90%)
Max Power Consumption	730 W
Air Volume	190 M ³ /h
Water Tank Volume	5 L
Net Weight	7.5 Kg
Product Size	340 x 221 x 509 mm

PLEASE READ THIS MANUAL CAREFULLY BEFORE USE AND SAVE IT FOR FUTURE REFERENCE.



Important information concerning your personal safety and information on how to avoid damaging the appliance.



General information and tips.

1. HOW IT WORKS



This product is a desiccant dehumidifier. It controls relative humidity by passing the air through the unit, forcing the excess moisture to give itself off to the desiccant wheel, and is dry as it leaves the wheel. The humidity-laden wheel rotates slowly into a smaller airstream which has been heated. This condensed water then drains safely into the water tank. The dried air passes through air outlet and re-enters the room at a slightly elevated temperature.

2. WHERE TO POSITION



Excess moisture will travel throughout your home, in the same way that cooking smells waft to every room in the house. For this reason, the dehumidifier should be positioned, so that it can draw this moist air towards it from all over the home. Alternatively, if you have a serious problem in one area you can begin by positioning the dehumidifier close to this area and later moving it to a more central point.

When positioning the dehumidifier, ensure that it is placed on a level surface and that there is a minimum of 10 cm of space on either side of the unit to allow for efficient airflow.

In case you want to move the unit, it should first be switched off and the water tank emptied.

We do not recommend the use of an extension lead, so please try to ensure that the unit is sufficiently close to a fixed mains socket. If it is necessary to use an extension lead, please ensure the diameter of the wires of the cable is at least 1 mm².

When the dehumidifier is in operation, outside doors and windows should be closed when necessary for most efficient use.

3. SAFETY INSTRUCTIONS



When using electrical units, basic safety precautions should always be followed: failure to follow the warnings and instructions may result in electric shock, fire and/or serious injury.

For indoor use only.

Always check power cord and connection parts for possible damage prior to operation.

Never use the unit if electric cable, drain hose or power connection is damaged!

Never reach to retrieve the unit if it has fallen in water. In such case, immediately pull the plug if it's safe to do so. Have the unit checked before using again.

The mains connection must correspond to the specification shown on the rating label at the back of the device.

Only connect the unit to a properly installed and easily accessible socket so that you can quickly pull the plug in an emergency.

Only put the unit in an upright, stable position on firm ground to avoid water leak. Ensure that it is kept upright at all times (including transport and store).

The unit features an anti-tip safety device that will switch the unit off if it was tipped during operating.

Avoid the unit from splash. DO NOT let any liquid enter the unit.

DO NOT place the unit on wet or flooded ground.

DO NOT place on soft surfaces.

DO NOT use the unit close to a bathtub, shower, sink and the like.

DO NOT use the unit in locations where paint, petrol or other flammable liquids are used or stored.

DO NOT touch the plug or use the device with wet or damp hands.

Let the device dry out after a wet clean. DO NOT operate it when wet.

DO NOT use bug sprays or other flammable cleansers on the unit.

Avoid over-twisting, -coiling, -pulling the power cord, never use nylon or iron wire to tide the power cord.

DO NOT lay the cord under carpets/rugs so that you can regularly check its condition.

DO NOT use the cord of the unit as a carrying strap.

DO NOT use extension cords.

DO NOT obstruct the air inlet and outlet.

DO NOT expose the unit to direct sunlight.

Never insert any objects or limbs into the device.

DO NOT cover the device during operation.

DO NOT sit on the device.

DO NOT use the unit without air filter.

DO NOT remove any safety signs, stickers or labels from the device.

Always switch off the unit and pull the plug out of the socket when

- You are not using the unit
- Moving location.
- Clean the unit
- You assemble the accessories.
- A fault occurs if it's safe to do so
- In the event of an emergency if it's safe to do so

The unit contains a chemical substance. The unit will emit a chemical smell during the 1st time of operation without any dangerous consequences.

Always empty the water tank before moving/storing the unit.

The condensed water is not for drinking either for human or animals.

Maintenance tasks which require the housing to be opened must only be carried out by qualified personnel.

People who use this device must:

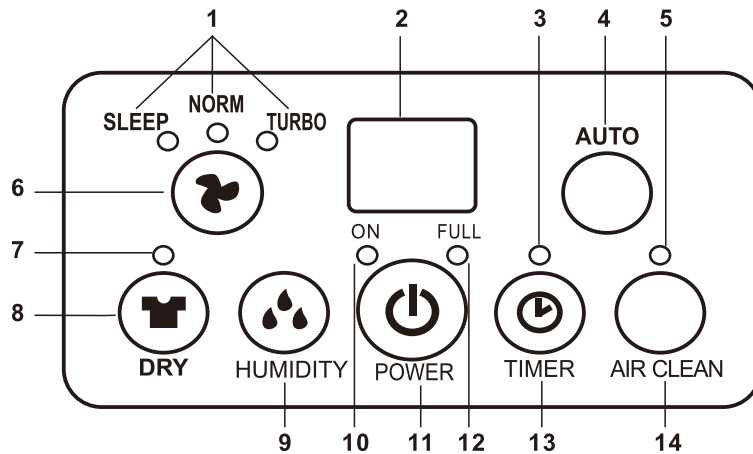
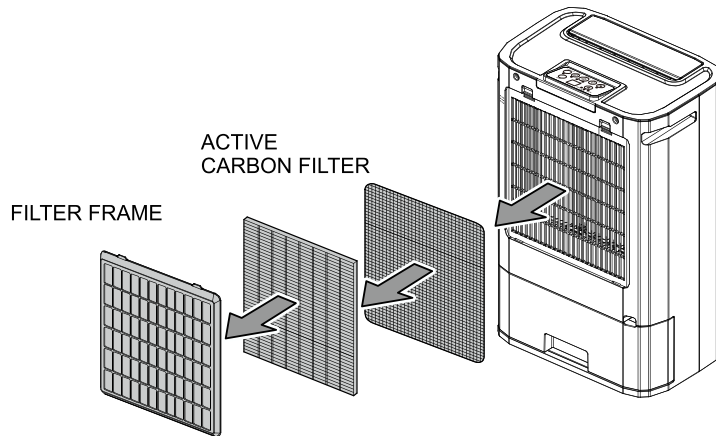
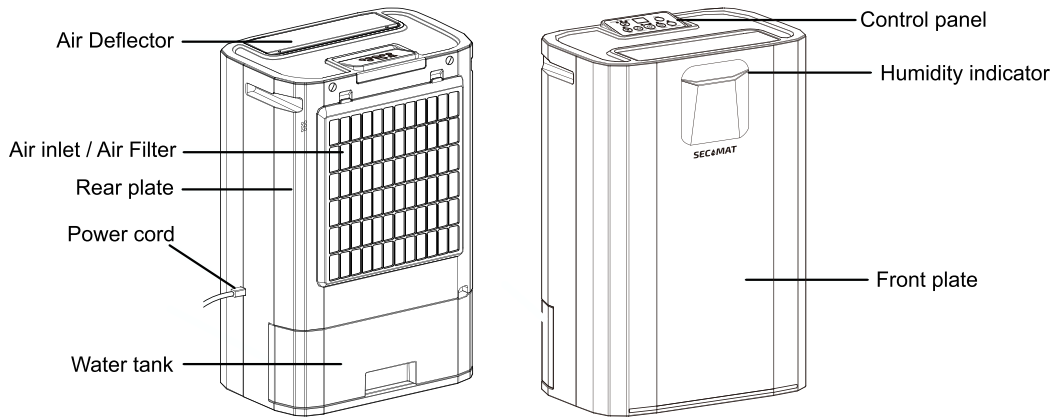
- Be aware of the dangers that occur when working with electric devices in damp areas.
- Have read and understood the operating manual, especially the safety chapter.
- Not make any unauthorised modifications or alterations to the device.

This unit can be used by children aged from 8 years and above and persons with reduced physical, sensory or mental capabilities or lack of experience and knowledge if they have been given supervision or instruction concerning use of the unit in a safe way and understand the hazards involved. Children shall not play with the unit. Cleaning and user maintenance shall not be made by children without supervision.

This unit is not a toy. Keep away from children and animals. DO NOT leave the device unattended during operation.

Only use the device for drying and dehumidifying room air in living rooms, bedrooms, bathrooms, basements, laundries, garages, holiday homes, camper vans, boats, storage spaces, archives, laboratories etc.

4. PARTS



- | | |
|--|--|
| 1.FAN SPEED Indicator (Sleep, NORM, TURBO) | 8.DRY(TURBO) Button |
| 2.Humidity/Timer Display Window | 9.Humidity Button |
| 3.TIMER Indicator | 10.ON indicator (heat element operation indicator) |
| 4.AUTO button | 11.Power (ON/OFF) Button |
| 5.AIR CLEAN Indicator | 12."Full Water" indicator |
| 6.FAN SPEED Button | 13.TIMER button |
| 7.DRYER Indicator | 14.AIR CLEAN Button |

FAN SPEED BUTTON 3 selections:

- ◆ **SLEEP (MUTE):** Low fan speed with Low heat and the unit is quieter. If the ambient humidity is less than set humidity, it will run at low fan (ventilation) only, no heat.

Note! In sleep mode, the humidity indicator in the front plate will not light on.

- ◆ **NORM (standard):** MEDIUM fan speed with HIGH heat setting. If the ambient humidity is below set humidity, the unit will run at Medium fan speed only, no heat.
- ◆ **TURBO:** HIGH fan with HIGH Heat setting. If the ambient humidity is below set humidity, the unit will run at HIGH fan speed only, no heat.

Indicator for the set mode will light on.

AUTO BUTTON

By pressing this button, the unit will work automatically as below:

- **Above 70%**in TURBO mode.
- **Between 55% and 70%** in SLEEP model.
- **Less than 55%**, unit stops for 30 minutes before rechecking room humidity. Will not restart until humidity is above 55%.

DRY (LAUNDRY) BUTTON (40% RH / high fan speed/high heat)

Suitable for drying clothes.

- Set desired humidity at 40%, unit will work 8hrs continuously.
- Rest for 30 minutes
- If room humidity > 40%, unit works for another 8hrs.
- If room humidity <40%, unit rests for another 30 minutes
- The DRYER indicator will be light on

☆ Under this mode, the fan speed is always fixed at HIGH speed, not adjustable.

HUMIDITY BUTTON

CO (continuous dehumidify) , 40%, 50%, 60% or 70% The set HUMIDIFY level will show on the LED display .

Please Note:

1. After 8hrs of the heater running continuously, the unit will rest for 30 minutes before resuming the previously selected operation.
2. If the HUMIDITY button is not set, the unit will work at the default setting: 50% RH /low fan speed/low heat.

※ **Continuous dehumidify mode**

For safety reason, the machine will stop automatically after running for 8hrs.

After rest for 30 minutes, resumes to work. Repeat in this cycle.

※ **Continuous dehumidify mode + Ambient humidity less than 35%**

the heater works for 15minutes -> rest for a few minutes, repeats in this cycle, unless the humidity rises up.

※ **Ambient temperature higher than 36°C**

the heater stops , the fan keeps running to check humidity (last set mode) / temperature, then follows the general logic of stopping for 30 minutes if humidity is reached.

※ **Working with humidity setting: 40%, 50%, 60% or 70%**

the machine will stop automatically after running for 8hours, no matter the setting humidity is reached or not. After rest for 30minutes, resumes to work. Repeat in this cycle.

POWER BUTTON Press this button to start or turn off the machine. Please note it may take a few minutes for the unit to turn off once pressed.

TIMER BUTTON

1. Press TIMER button to set the working hours you need.

- the LED display will show the hour you set (starting from 0, 1 to 24 in a cycle).
- The TIMER Indicator will light on at the same time.

When the set time has been reached, the machine will turn off automatically.

2. By pressing TIMER but without turning on other functions, you can PRE-SET time to work. For example, if you press the timer to '2', the unit will turn on automatically 2 hours after and works in the previous mode.

AIR CLEAN BUTTON This mode runs the fan without dehumidifying the air.

- Suitable for purifying the air when the set-up humidity has been reached (especially when the optional HEPA filter is installed).

- AIR CLEAN indicator will light on at the same time. The fan speed is adjustable in this mode.

Please Note: If using a HEPA filter while dehumidifying, the performance of the unit may be reduced by 10%.

DISPLAY WINDOW

- Displays the room temperature (0 ~ 50°C)
- Displays the room humidity (35~95%RH).
- Displays the set humidity, while pressing the HUMIDITY button.
- Displays the set time while pressing the TIMER, after 8 seconds, return to room humidity.

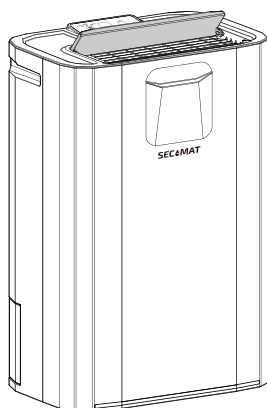
ON INDICATOR (heat operation indicator)

- lights on in GREEN as the heat element is working.
- lights on in RED and blink as the unit is tipped over.

WATER FULL INDICATOR It turns to RED and blink when the water tank is full or the tank is not in proper position.

HUMIDITY INDICATOR IN THE FRONT

This unit is equipped with an intelligent humidity display on the front, giving the user an immediate visual indication of the ambient humidity. The front LED's will change color to indicate the current humidity level.




Blue light – room humidity > 70%
 Green light – room humidity 50~70%
 Red light – room humidity < 50%

☆ In SLEEP mode, this indicator will not work

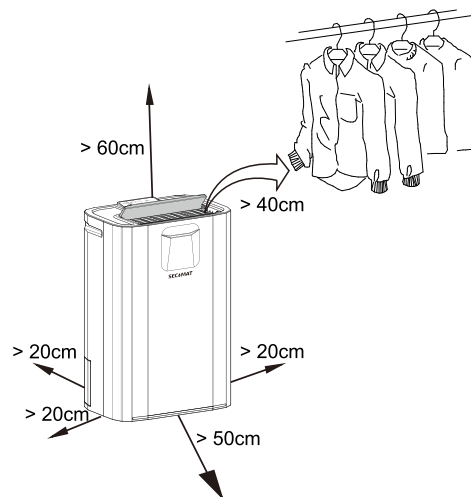
5. Operation



1. Plug the unit into a correct mains socket. (Please refer to the rating label at the rear of the unit.)
2. **OPEN THE AIR DEFLECTOR at the top.**
3. Press button POWER to turn on the unit. The unit will start to work in LOW FAN/LOW HEAT/LOW DEHUMIDIFY (humidity setting: 50%)
4. Press button HUMIDITY to set the room humidity you need: continuous de-humidifying, 40%, 50%, 60% or 70% (the set level will appear on the LED display)
5. Press button FAN SPEED  to choose the ventilation speed, MUTE, NORM (normal/standard) or TURBO.
6. Press button TIMER to set the working hour you need (1~24 hours).
7. To turn off the unit, press button POWER again.

IMPORTANT!

1. After switching off the unit, it takes at least 2 minutes to OFF the unit completely, this allows the unit to cool down.
DO NOT DISCONNECT THE PLUG DIRECTLY FOR QUICK-OFF.
2. Do not operate the unit without the AIR FILTER.
3. While using DRYER mode for clothes, please keep the air vent (air outlet) of the unit **AT LEAST 40CM** away from the objects (ex. the clothes) and ensure no water will drip into the air vent of unit.
★ **ATTENTION! DO NOT used in the closet, wardrobe .**



4. **Tip Over protection** This unit is equipped with tilt switch for overheat protection. While the unit is tipped, the unit will stop automatically. **The ON indicator will turn into RED and blink for warning, also the display window will show E5.** After repositioning the unit upright, press POWER button to re-start.
5. **Self-Diagnosis:** This machine is equipped with self-diagnosis function. If something is wrong in the machine, the LED will show the signal from E1 to E7 (each represents different situation).
E5 means the unit is tipped over. Please re-posit the unit upright, press POWER button to re-start.
For the other signal, please call your service centre. **DO NOT dismantle the machine by yourselves in any case.**

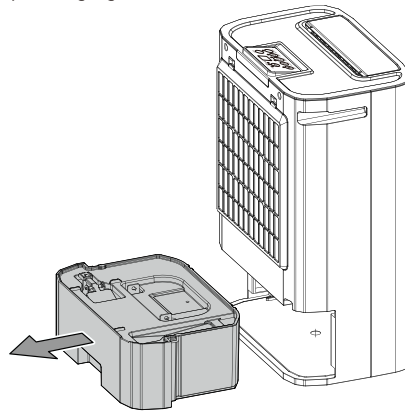
6. DRAINAGE



While the water tank is full, the unit will stop working for self-protection. The water full indicator will blink in red and the unit will buzz for warning.

To empty the tank, please follow the steps:

1. Hold the unit with one hand to make it stand firmly.
2. Pull out the tank squarely from the unit.
3. Grasp the water tank handle, remove the cover of the tank, empty the water from the drain.
4. After the tank was empty, return the water tank to its position, make sure it is properly positioned, so the 'water full' sign can go out and your dehumidifier is operating again.

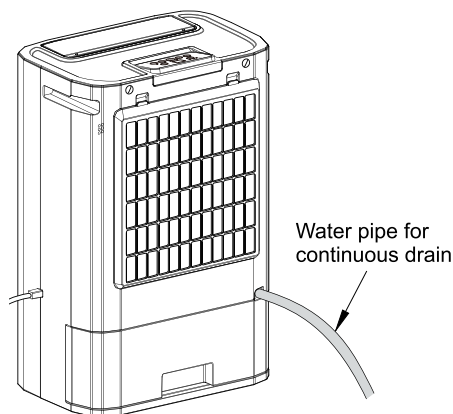


Please note, if the water tank has not been positioned well, the water full indicator will turn into red and the unit will keep buzzing.

▶▶▶ CONTINUOUS DRAINAGE

When the dehumidifier is operated at very high humidity levels, the water tank will require more frequent drainage. In this situation, it may be more convenient to set the unit up for continuous drainage with the following procedures:

1. Connect the drain hole with a water tube of inner diameter 11mm. ☆ **Please note, the water tube is not supplied with the unit.**
2. Ensure the water will always drain away freely and the tube will remain in right place. Note! In very cold weather conditions, precautions should be taken to prevent the water tube from freezing.
3. When you don't need it, please remove the water tube, then the water will go again to the water tank.



7. MAINTENANCE



Always unplug the unit from the mains and wait for **at least one hour** before carrying out any maintenance or cleaning of the unit.

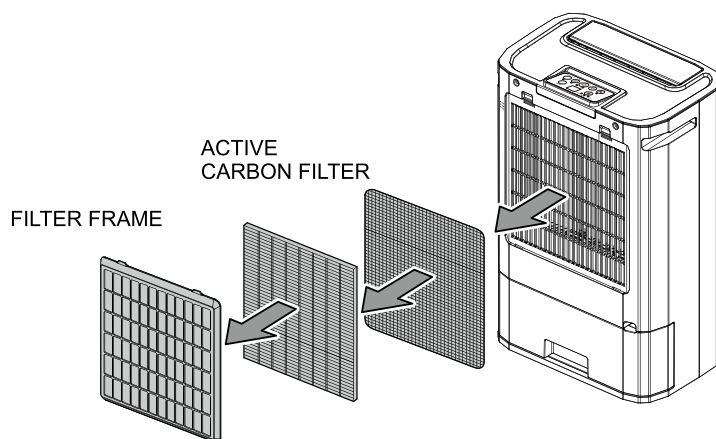
CLEANING THE BODY

Use soft cloth to wipe the unit clean.

Don't ever use volatile chemicals, gasoline, detergents, chemically treated clothes, or other cleansing solutions. These all could possibly hurt the cabinet.

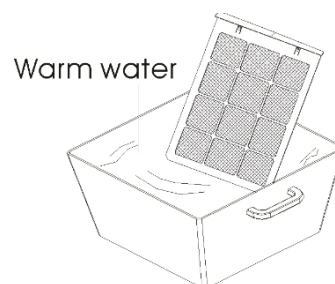
CLEANING THE FILTER

Draw out the air filter from the rear of the unit.



For dust filter (washable filter) –

1. Use a vacuum cleaner or tap the filter lightly for easy cleaning. If the filter is particularly dirty, use warm water with a small amount of medium strength.
2. Make sure the filter is completely dry before replacing.
3. Do not expose the filter to sunlight.



STORAGE

If not use the unit for an extended period of time. Please:

- Turning the unit off, unplug and tidy AC cord.
- Completely empty the water tank and wipe it clean.
- Cover the unit and store where it will not receive direct sunlight.

8. TROUBLESHOOTING



PROBLEM	POSSIBLE REASON
The unit doesn't work at all.	<ol style="list-style-type: none"> 1. Bad connection of the main plug 2. Water tank not positioned well or full. 3. Is the unit standing upright and level.
The unit not work dehumidifying	<ol style="list-style-type: none"> 1. Too heavy dust on air filter. 2. Any things stuck on intake or air vent. 3. Too low room humidity already.
Dehumidifying efficiency not good	<ol style="list-style-type: none"> 1. Too many doors and windows open. 2. Any room equipment increases the room humidity.
Abnormal noises from the motor	<ol style="list-style-type: none"> 1. Check and clean the air filter 2. Is the unit standing upright and on a level surface?
The unit leaks water	<ol style="list-style-type: none"> 1. Has the unit been tipped? 2. Check if the float of the water tank is blocked by foreign material.
After the unit has been switched off, the fan motor is still running	<ol style="list-style-type: none"> 1. After the unit stops, about 2 minutes are needed to cool down the electric heater by running the internal fan.

Please TURN off immediately the power when the unit emits strange noises, odors, etc.

9. WARRANTY



Our products come with guarantees that cannot be excluded under the Australian Consumer Law. Customers are entitled to a refund or replacement if a major failure occurs during a reasonable time of use. We also provide repair services if a non-major issue occurs within the warranty period. Exclusions apply. Please visit secomat.com.au/warranty for more information or contact us via the following methods:

Secomat Australia Pty Ltd
 PO Box 650
 Lindfield NSW 2070
 Phone: 1300055518
 Email: support@secomat.com.au

